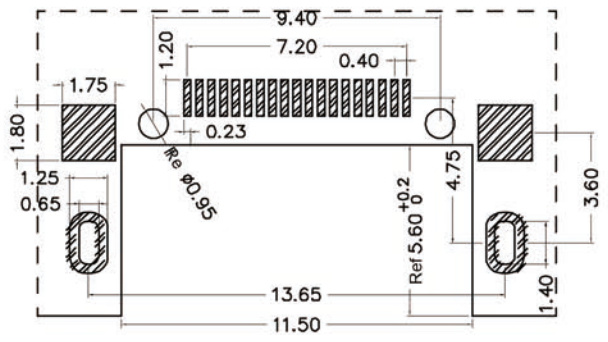


SPECIFICATION:
 1.MATING FORCE:44.1N MAX
 2.UNMATING FORCE:7-25N
 3.DURABILITY: 5000 CYCLES MIN
 4.CURRENT:0.5A
 5.VOLTAGE:40V MAX
 6.WITHSTANDING VOLTAGE:500V AC MIN.(UNMATED)
 7.CONTACT RESISTANCE:30MΩ MAX.
 8.INSULATION RESISTANCE:100MΩ MIN.(UNMATED)
 9.OPERATING TEMPERATURE RANGE:-20.C TO +85.C
 10.ALL THE MATERIAL SHOULD COMPLY WITH THE ROHS REQUIREMENT.

Type C pin	Signal Name
1	TMDS Data2_Shield
2	TMDS Data2+
3	TMDS Data2-
4	TMDS Data1_Shield
5	TMDS Data1+
6	TMDS Data1-
7	TMDS Data0_Shield
8	TMDS Data0+
9	TMDS Data0-
10	TMDS Clock_Shield
11	TMDS Clock+
12	TMDS Clock-
13	DDC/CEC Ground
14	CEC
15	SCI
16	SDA
17	Utility
18	+5V Power
19	Hot Plug Detect



UNITS: mm		CSCONN	CSCONN PRECISE ELECTRONICS CO.,LTD			
GENERAL TOLERANCE			PART NO.(INTENDED USE) CHD19081132004	TITLE: MINI HDMI 19P 斜口沉板式		
X. ° ±5°	0. X±0.3	APPD:	DWG NO. HDMI			
X. 1±2°	0. XX±0.2	CHKD: Skila		SCALE	SHEET	REV
XX. ±1°	0. XXX±0.1	DR: Kitty		1:1	1 OF 1	A
XXX. ±0.5°						