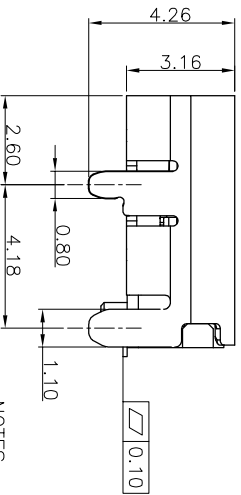
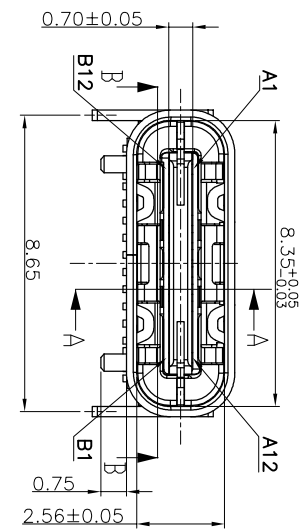


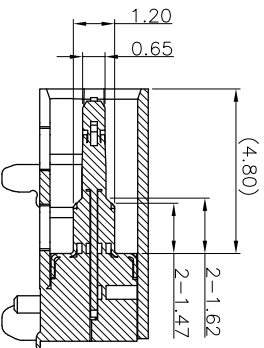
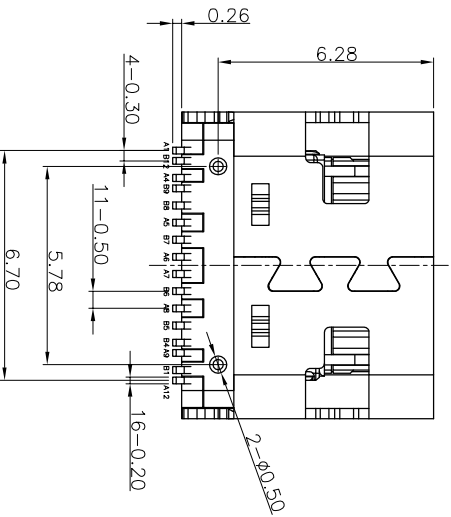
RECOMMENDED P.C.B. LAYOUT
TOLERANCE UNSPECIFIED ±0.05mm



NOTES:

1. CURRENT RATING: 3.0A MAX
2. VOLTAGE: 100 VAC
3. TEMPERATURE RANGE: -30 °C ~ 85 °C
4. CONTACT RESISTANCE: 40 MILLIONHM MAX
5. INSULATION RESISTANCE: 100 MEGOHMS MIN.
6. INSERTION FORCE : 5N~20N
7. UNMATING FORCE: 8N~20N

A1	GND	B12	GND
A4	VBUS	B9	VBUS
A5	CC1	B8	SBU2
A6	DP1	B7	DN2
A7	DN1	B6	DP2
A8	SBU1	B5	CC2
A9	VBUS	B4	VBUS
A12	GND	B1	GND
PIN	SIGNAL NAME	PIN	SIGNAL NAME



SECTION A-A
SCALE 1:1

UNITS: mm

GENERAL TOLERANCE

X. ±0.25

XX. ±0.2

XXX. ±0.1

CSCONN

PART NO.(INTENDED USE)
CUS31738616001

APPD:

CHKD: SK11a

DR: Kitty

CSCONN PRECISE ELECTRONICS CO.,LTD

TITLE: USB TYPE C FEMALE 16P SMT 单排

DWG NO. USB



SCALE SHEET REV

1:1 1 OF 1 A